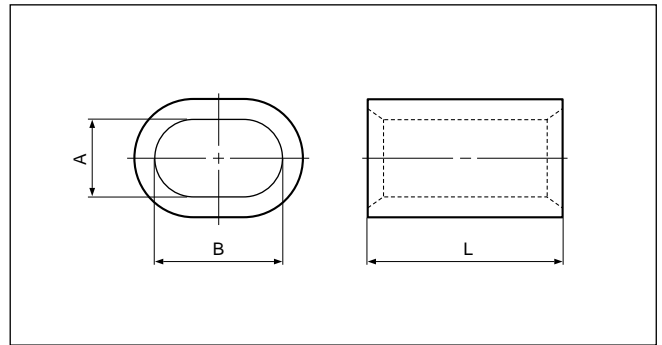
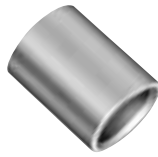


Solderless splices

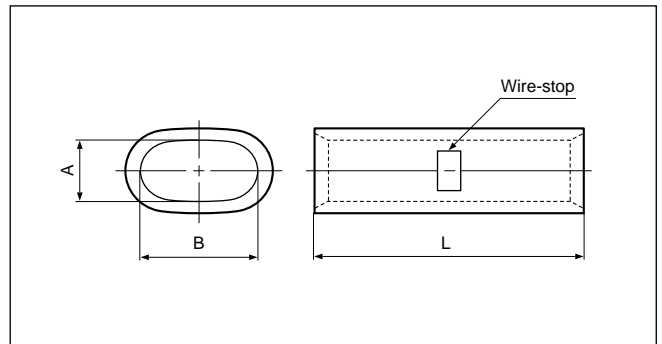
**OVAL TYPE** Non-insulated



**Parallel**

Applicable Wire AWG# (mm <sup>2</sup> )	Part No.	Standard	Dimensions mm (in.)			Tool No.								Qty/box			
			L	A	B	YHT-8S	YA-4	YA-5	YPT-60N	YPT-150-1	YET-60-1	E-4, YF-1 EP-1	YET-150-2		YET-300-1	YET-300N	
8 (6.64 to 10.52)	PV-8		9.5 (.374)	3.8 (.150)	5.0 (.197)	0	0	0	0	0	0	0	0	0	0	0	500
6 (10.52 to 16.78)	PV-14		11.0 (.433)	5.0 (.197)	6.2 (.244)		0	0	0	0	0	0	0				200
4 (16.78 to 26.66)	PV-22		13.5 (.531)	6.7 (.264)	8.3 (.327)			0	0	0	0	0					100
2 (26.66 to 42.42)	PV-38		16.5 (.650)	8.0 (.315)	10.2 (.402)			0	0	0	0	0					
1/0 (42.42 to 60.57)	PV-60		19.0 (.748)	9.8 (.386)	12.3 (.484)			0	0	0	0	0	0	0	0	0	50
2/0 (60.57 to 76.28)	PV-70		19.0 (.748)	12.0 (.472)	14.0 (.551)					0		0	0	0	0		
3/0 (76.28 to 96.3)	PV-80		19.5 (.768)	12.7 (.500)	15.5 (.610)					0		0	0	0	0		
4/0 (96.3 to 117.2)	PV-100		20.0 (.787)	14.6 (.575)	17.5 (.689)					0		0	0	0	0		

Note:1) "Applicable Wires" indicates the total cross-sectional area.  
 2) Delivery lead times may vary depending on the product. Contact JST for details.



**Butt**

Applicable Wire AWG# (mm <sup>2</sup> )	Part No.	Standard	Dimensions mm (in.)			Tool No.								Qty/box			
			L	A	B	YHT-8S	YA-4	YA-5	YPT-60N	YPT-150-1	YF-1, E-4 EP-1	YET-60-1	YET-150-2		YF-1, E-4	YET-300-1	YET-300N
6 (10.52 to 16.78)	CV-14		26.0(1.024)	5.0 (.197)	6.2 (.244)		0	0	0	0	0	0	0				200

Note:1) Delivery lead times may vary depending on the product. Contact JST for details.